



MEYLE[®]
Products



Oil change kits



For automatic transmissions



MEYLE[®]
Products

Oil change kits



For automatic transmissions

MEYLE parts for passenger cars

The safety and operational reliability of a motor vehicle hinge on the quality and durability of its components. The MEYLE range of products features a wide variety of components. Spare parts from A to Z, from Alfa Romeo to Volvo, from minicars to top-of-the-range luxury models.



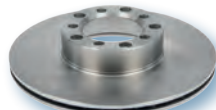
Steering & suspension

Control arms
 Stabilizer links
 Tie rod assemblies
 and individual parts
 Ball joints
 Wheel bearing kits
 Wheel hubs



Brakes

Brake discs and
 platinum discs
 Brake pad sets
 Brake drums
 Brake hoses
 Brake shoe kits
 Wheel cylinders
 Wear sensors



Cooling parts

Water pumps
 Fan clutches
 Fan motors
 V-ribbed belts
 Radiator hoses
 Thermostats
 Flanges
 Expansion tanks
 Radiators antifreeze



Drive components

C.V. joint kits
 Boot kits
 Belt drives
 Tensioners and pulleys



Rubber-to-metal parts

Flex discs
 Cardan shaft bearings
 Engine/transmission mounts
 Bushings
 Belt pulleys



Filters

Cabin air filters
 Oil filters
 Air filters
 Fuel filters
 Transmission filters



Damping components

Shock absorbers
 Coil springs
 Strut mounts



Electric and sensors

Relays
 Sensors
 Ignition modules
 Switches





Under its MEYLE brand, Wulf Gaertner Autoparts AG manufactures and markets extremely reliable and highly durable spare parts for the automotive industry.

Their product range comprises 21,000 articles, including more than 750 optimised HD-parts. The core competence of MEYLE lies in components for suspension and steering, rubber-metal parts, brakes and damping systems. Wulf Gaertner Autoparts AG is committed to providing customer-friendly, prompt, modern and expert service, and is supported by a dedicated logistics, sales and distribution network geared towards achieving this goal. Customer service is assured by international subsidiaries and partner companies throughout Europe and Asia, not to mention a multicultural team at the headquarters in Hamburg speaking no fewer than 15 native languages. The easy-to-browse Online Product Catalogue and the TecDoc interface provide search capability across time zones and national boundaries.

Fast and reliable delivery service is ensured by the spacious semiautomatic warehouse in Hamburg with an area of 29,000 square metres and 56,000 pallet spaces, as well as local warehouses of international subsidiaries.



Simply lasts longer.



MEYLE-HD: spare parts of superior quality

The MEYLE brand name instantly calls to mind HD – for a very good reason: The products of the MEYLE-HD brand are developed by in-house engineers at the headquarters in Hamburg (Germany). Original components prone to failure are analysed here on the basis of recall statistics and information sourced from TÜV partners and garages, and identified weak points are eliminated.

The engineers work closely together with respected research institutes and technology partners (e.g. Lübeck Technical University, Helmut-Schmidt University Hamburg, to name a few). This means that MEYLE parts incorporate state-of-the-art solutions that have not always been implemented in OE parts due to shortened development cycles or cost and material constraints.

MEYLE parts are manufactured under the supervision of the Hamburg engineering team at in-house production facilities and by selected partners of an international production network.

In-house engineering expertise is reflected at every stage of product development process from the drawing board to the finished product and is the basis for achieving consistently high product quality.

For this reason Wulf Gaertner Autoparts offers a four-year warranty on all HD articles.





MEYLE
Products



Guarantee Certificate

A distinguishing feature of MEYLE is our high level of precision, achieved by the application of the most modern manufacturing methods. Our products meet highest quality standards and our suppliers are certified according to ISO 9001:2008 and ISO/TS 16949.

We guarantee that our products have the attributes which we have expressly assured, that they are free from defects and meet state-of-the-art technology. In the event of any flaw in material or production defect in a MEYLE product we will carry out the repair at our expense or replace the product in question. Our products have a guarantee period of 24 months from the date on which our customer installs the purchased product. MEYLE-HD parts have a 48-month guarantee.

In order for any claim to be valid under this MEYLE water pump guarantee the cooling circuit must be flushed prior to installing the MEYLE water pump. For MEYLE passenger car water pumps we offer a performance guarantee of 100,000 miles, which is equal to 160,934 kilometres, in addition to the specified MEYLE guarantee period.

The following general guarantee terms and conditions apply: Complaints must be communicated in writing within a period of 30 days of such occurrence. This guarantee ceases if the item supplied is modified by another party or by the assembly of components of another source, unless the defect has no causal relationship with this modification. This guarantee also ceases if the applicable handling or manufacturer specifications, e. g. on maintenance and replacement intervals, are not complied with.

This guarantee excludes normal wear and tear, and damage caused by improper usage, vehicle application and treatment. This guarantee does not affect the statutory rights of the buyer as set out in § 437 of the German Civil Code if and to the extent that German law is applicable. The date of installation and the purchase of the part must be proven by supporting documents. Any guarantee claim will be processed by the distributor who sold the product.

Last updated: November 2015.

Director Quality Assurance
Manfred Wunder



Gearbox oil change has never been easier!

MEYLE oil change kits for automatic transmissions guarantee all-round car service

Competence increased. Service upgraded. Time saved.

MEYLE offers a comprehensive range of 45 repair-friendly kits for full-service automatic transmission oil change covering nearly 4,000 vehicle applications equipped with popular gearbox types. Upgrade your range of services and benefit from time savings. Supplied in a sturdy case, each kit comes with a full set of the accessory parts required for all-round oil change:

- > Filters
- > Seals
- > Bolts
- > Drain/intake plug
- > Magnets
- > 4-8 litres of ATF gearbox oil, as required

For vehicles with a mileage exceeding 60,000km MEYLE's engineers recommend that the transmission fluid and filters be changed along with the respective components to maximise gearbox performance and service life. Advice: Don't miss this opportunity at the next scheduled service.

www.meyle.com

On a side note:

MEYLE multi-purpose high-performance oils for manual and automatic transmissions are also available separately.

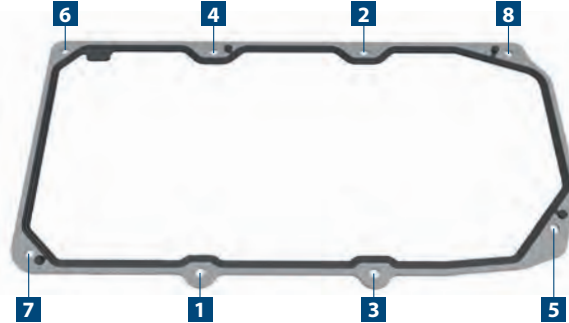
014 135 0302

MADE IN GERMANY



Assembly instructions for oil change kits for automatic transmission

Einbauhinweis für Ölwechselkits für Automatikgetriebe



- EN**
- > Adhere to the correct tightening sequence (see picture) and observe the tightening torques.
 - > Use oil according to manufacturer specifications and observe the quantity instructions. The amount of fluid supplied is the amount required for transmission oil change. It is not the total fluid capacity.
 - > To ensure compliance with professional standards use special tools when refilling transmission fluid and checking the fluid level.
 - > Where the automatic transmission converter is fitted with an oil drain screw, additional oil will be required.
- DE**
- > Beim Anziehen der Schrauben die korrekte Reihenfolge (siehe Bild) einhalten und Anzugsmomente beachten.
 - > Öl gemäß Herstellerspezifikationen verwenden und Mengenangaben beachten. Mitgelieferte Menge entspricht Getriebeölwechsel-Service. Keine Gesamtfüllmenge.
 - > Fachgerechtes Wiederbefüllen des Getriebes und Füllstandshöhen-Messung mit Spezialwerkzeug durchführen.
 - > Modelle mit Ablassschraube am Automatikgetriebewandler erfordern zusätzliches Öl.
- ES**
- > Al apretar los tornillos, respete el orden correcto (vea la figura) y observe los pares de apriete.
 - > Emplee el aceite conforme a la especificación del fabricante y tenga en cuenta la cantidad prescrita. La cantidad suministrada es la necesaria para cambiar el aceite en ocasión del servicio. No es la cantidad total de llenado.
 - > Rellene la caja de cambios y controle el nivel del aceite, adecuadamente, con herramientas especiales.
 - > Los modelos con tornillo de vaciado de aceite en el convertidor de la caja de cambios requieren más aceite.
- FR**
- > Serrer les vis dans l'ordre indiqué (voir photo) et respecter le couple de serrage.
 - > Utiliser l'huile préconisée par le fabricant et respecter les quantités. La quantité fournie correspond à celle d'une vidange de transmission. Il ne s'agit pas du volume total.
 - > Remplir de nouveau la transmission et mesurer le niveau de remplissage, comme il se doit, avec des outils spécialisés.
 - > Les modèles avec bouchon de vidange sur le convertisseur de transmission automatique nécessitent un supplément d'huile.
- IT**
- > Seguire la corretta successione di serraggio delle viti (si veda la figura) e rispettare le coppie di serraggio.
 - > Utilizzare olio secondo le specifiche del costruttore e rispettare i quantitativi prescritti. La quantità di lubrificante fornita in dotazione corrisponde a quella necessaria per un cambio dell'olio trasmissione, non rappresenta la quantità di riempimento totale.
 - > Per assicurare il corretto rabbocco dell'olio del cambio e quando si misura il livello utilizzare sempre utensili speciali adatti allo scopo.
 - > I modelli dotati di vite di scarico nel convertitore del cambio automatico necessitano di una maggiore quantità di olio.
- RU**
- > При затягивании винтов соблюдайте правильную последовательность (см. рисунок) и учитывайте момент затяжки.
 - > Используйте масло в соответствии со спецификациями производителя и соблюдайте инструкции производителя. Входящее в комплект поставки количество масла позволяет произвести полную сервисную замену в коробке передач. Не нужно заменять всё количество вмещающегося в ёмкость масла.
 - > Производите повторное наполнение коробки передач и замер уровня наполнения используя специнструмент.
 - > Модели со спускной пробкой на трансформаторе автоматической коробки передач требуют дополнительной заливки масла.
- PL**
- > Przy dokręcaniu śrub utrzymać prawidłową kolejność (patrz rysunek) i momenty dokręcania.
 - > Olej stosować zgodnie ze specyfikacją producenta i uwzględnić ilość. Dostarczona ilość odpowiada wymogom serwisowym w zakresie wymiany oleju przekładniowego. Nie podano całkowitej pojemności skrzyni.
 - > Do fachowego napełnienia skrzyni i pomiaru wysokości napełnienia olejem wykorzystywać narzędzia specjalistyczne.
 - > Modele z korkiem spusowym na konwerterze automatycznej skrzyni biegów wymagają dodatkowej ilości oleju.
- CS**
- > Při utahování šroubů vždy dodržovat předepsané pořadí utahování šroubů (viz obrázek) a dodržovat utahovací moment.
 - > Použití oleje dle specifikace výrobce a dodržovat předepsané množství. Dodávané množství oleje odpovídá předepsanému množství při výměně oleje – neodpovídá celkové náplni převodovky.
 - > Při plnění a kontrole množství oleje v převodovce používat předepsané přípravky a speciální nářadí.
 - > Modely s vypouštěcím šroubem na měniči automatické převodovky vyžadují větší množství oleje.
- PT**
- > Cumprir a sequência de instalação correcta (ver esquema) e respeite os torques indicados.
 - > Usar óleo de acordo com as especificações do fabricante e respeitar as quantidades indicadas. O volume fornecido corresponde ao serviço de mudança de óleo da transmissão. Não representa o volume de enchimento total.
 - > Para assegurar a concordância com padrões profissionais, utilizar ferramentas especiais no reabastecimento do fluido de transmissão na verificação do seu nível.
 - > Os modelos com bujão de escoamento no conversor da transmissão automática requerem óleo adicional.
- AR**

< عند ربط المسامير القلاووظ يجب اتباع تسلسل عملية الربط (أنظر الشكل) ، ويجب ضبط قوة عزم الربط.
 < يجب استخدام زيت من النوع الموصوف في التعليمات وبالكمية المحددة. كمية الزيت الموردة تكفي الكمية المطلوبة لتغيير الزيت. وهي لا تملأ الخزان بالكامل.
 < ومن أجل التوافق مع المعايير الحرفية فنرجو استخدام الأدوات الخاصة عند إعادة شحن صندوق التروس وكذلك لقياس مستوى الزيت فيه.
 < أي طراز ذو مسمار قلاووظ لتفريغ الزيت من محول أتوماتيكي لصندوق التروس يحتاج إلى كمية زيت إضافية.



Audi 1

Drive train/Transmission

Transmission

Parts kit, automatic transm. oil change

BMW 9

Drive train/Transmission

Transmission

Parts kit, automatic transm. oil change

Ford 17

Drive train/Transmission

Transmission

Parts kit, automatic transm. oil change

Jaguar 18

Drive train/Transmission

Transmission

Parts kit, automatic transm. oil change

Land Rover 20

Drive train/Transmission

Transmission

Parts kit, automatic transm. oil change

Mercedes-Benz 22

Drive train/Transmission

Transmission

Parts kit, automatic transm. oil change



Mini

26

Drive train/Transmission Transmission

Parts kit, automatic transm. oil change

Porsche

28

Drive train/Transmission Transmission

Parts kit, automatic transm. oil change

Seat

30

Drive train/Transmission Transmission

Parts kit, automatic transm. oil change

Skoda

32

Drive train/Transmission Transmission

Parts kit, automatic transm. oil change

Volkswagen

35

Drive train/Transmission Transmission

Parts kit, automatic transm. oil change

Transmission type	MEYLE no.	Manufacturer	Page
AISIN			
AQ250	100 135 0100	Audi	4
TF-60SN	100 135 0100	Audi	4
09M	100 135 0100	Audi	4
09G	100 135 0100	Audi	4
TR-60SN	100 135 0105	Audi	7
09D	100 135 0105	Audi	7
GA6F21WA	300 135 0307	Mini	26
GA6F21WA	300 135 0306	Mini	26
AQ250	100 135 0100	Seat	31
TF-60SN	100 135 0100	Seat	31
09M	100 135 0100	Seat	31
09G	100 135 0100	Seat	31
AQ250	100 135 0101	Seat	31
TF-60SN	100 135 0101	Seat	31
09G	100 135 0101	Seat	31
AQ250	100 135 0100	Skoda	34
TF-60SN	100 135 0100	Skoda	34
09M	100 135 0100	Skoda	34
09G	100 135 0100	Skoda	34
AQ250	100 135 0101	Skoda	34
TF-60SN	100 135 0101	Skoda	34
09G	100 135 0101	Skoda	34
AQ250	100 135 0100	Volkswagen	37
TF-60SN	100 135 0100	Volkswagen	37
09M	100 135 0100	Volkswagen	37
09G	100 135 0100	Volkswagen	37
AQ250	100 135 0101	Volkswagen	38
TF-60SN	100 135 0101	Volkswagen	38
09G	100 135 0101	Volkswagen	38
TF-61SN	100 135 0106	Volkswagen	38
09K	100 135 0106	Volkswagen	38
TF-62SN	100 135 0107	Volkswagen	39
AQ450	100 135 0107	Volkswagen	39
TR-60SN	100 135 0105	Volkswagen	40
09D	100 135 0105	Volkswagen	40
GM			
5L40E	300 135 0401	BMW	9
5L40E	300 135 0402	BMW	9
5L40E	300 135 0403	BMW	9
GA6L45R	300 135 0304	BMW	10
6L45E	300 135 0304	BMW	10
6L45R	300 135 0304	BMW	10
Mercedes-Benz			
K7X 1000	014 135 0402	Mercedes-Benz	22
W7C 1000	014 135 0402	Mercedes-Benz	22

Transmission type	MEYLE no.	Manufacturer	Page
W7X 700	014 135 0402	Mercedes-Benz	22
W7B 700	014 135 0402	Mercedes-Benz	22
W5A 900	014 135 0201	Mercedes-Benz	22
W5A 580	014 135 0201	Mercedes-Benz	22
W5A 380	014 135 0201	Mercedes-Benz	22
W5A 330	014 135 0201	Mercedes-Benz	22
722.6	014 135 0201	Mercedes-Benz	22
W7X 700	014 135 0202	Mercedes-Benz	23
W7N 700	014 135 0202	Mercedes-Benz	23
W7B 700	014 135 0202	Mercedes-Benz	23
K7C 1000	014 135 0202	Mercedes-Benz	23
W7C 700	014 135 0202	Mercedes-Benz	23
W7C 1000	014 135 0202	Mercedes-Benz	23
722.9	014 135 0202	Mercedes-Benz	23
W7X 700	014 135 0203	Mercedes-Benz	25
W7N 700	014 135 0203	Mercedes-Benz	25
W7B 700	014 135 0203	Mercedes-Benz	25
K7C 1000	014 135 0203	Mercedes-Benz	25
W7C 700	014 135 0203	Mercedes-Benz	25
W7C 1000	014 135 0203	Mercedes-Benz	25
722.9	014 135 0203	Mercedes-Benz	25
W5A 180	014 135 0200	Mercedes-Benz	24
722.7	014 135 0200	Mercedes-Benz	24
WFC 280	014 135 0203	Mercedes-Benz	25
722.8	014 135 0203	Mercedes-Benz	25
WFC 280	014 135 0204	Mercedes-Benz	25
722.8	014 135 0204	Mercedes-Benz	25
VW			
0D9	100 135 0102	Audi	1
02E	100 135 0102	Audi	1
DQ250	100 135 0102	Audi	1
DQ500	100 135 0103	Audi	1
02G	100 135 0103	Audi	1
AG4	100 135 0014	Audi	3
DL501	100 135 0104	Audi	6
0B5	100 135 0104	Audi	6
0D9	100 135 0102	Seat	30
02E	100 135 0102	Seat	30
DQ250	100 135 0102	Seat	30
AG4	100 135 0014	Seat	30
0D9	100 135 0102	Skoda	32
02E	100 135 0102	Skoda	32
AG4	100 135 0014	Skoda	32
0D9	100 135 0102	Volkswagen	35
02E	100 135 0102	Volkswagen	35
DQ250	100 135 0102	Volkswagen	35

Transmission type	MEYLE no.	Manufacturer	Page
DQ500	100 135 0103	Volkswagen	35
02G	100 135 0103	Volkswagen	35
AG4	100 135 0014	Volkswagen	36
ZF			
5HP24A	100 135 0002	Audi	2
5HP24A	100 135 0002/SK	Audi	2
5HP19FLA	100 135 0001	Audi	3
5HP19FL	100 135 0001	Audi	3
5HP19FLA	100 135 0001/SK	Audi	4
5HP19FL	100 135 0001/SK	Audi	4
6HP19A	100 135 0003	Audi	5
6HP19A	100 135 0003/SK	Audi	5
0B6	100 135 0005	Audi	6
6HP28AF	100 135 0005	Audi	6
0B6	100 135 0005/SK	Audi	7
6HP28AF	100 135 0005/SK	Audi	7
8HP55A	100 135 0013	Audi	8
8HP55	100 135 0013	Audi	8
0BK	100 135 0013	Audi	8
8HP70	300 135 0007	BMW	10
8HP45	300 135 0007	BMW	10
6HP32 (HSL 015+016)	300 135 1006	BMW	11
6HP26 X	300 135 1006	BMW	11
6HP32 (HSL 015+016)	300 135 1006/SK	BMW	11
6HP26 X	300 135 1006/SK	BMW	11
6HP32	300 135 1005	BMW	12
6HP28 X	300 135 1005	BMW	12
6HP28	300 135 1005	BMW	12
6HP26 X	300 135 1005	BMW	12
6HP26	300 135 1005	BMW	12
6HP26	300 135 1005/SK	BMW	12
6HP26 X	300 135 1005/SK	BMW	12
6HP28	300 135 1005/SK	BMW	12
6HP28 X	300 135 1005/SK	BMW	12
6HP32	300 135 1005/SK	BMW	12
6HP21 X	300 135 1004	BMW	13
6HP21	300 135 1004	BMW	13
6HP19 X	300 135 1004	BMW	13
6HP19	300 135 1004	BMW	13
6HP19	300 135 1004/SK	BMW	14
6HP19 X	300 135 1004/SK	BMW	14
6HP21	300 135 1004/SK	BMW	14
6HP21 X	300 135 1004/SK	BMW	14
5HP24	300 135 0002	BMW	14
5HP24	300 135 0002/SK	BMW	15
5HP19	300 135 0001	BMW	15

Transmission type	MEYLE no.	Manufacturer	Page
5HP19	300 135 0001/SK	BMW	16
CFT23	714 135 0003	Ford	17
6HP32	300 135 1005	Jaguar	18
6HP28 X	300 135 1005	Jaguar	18
6HP28	300 135 1005	Jaguar	18
6HP26 X	300 135 1005	Jaguar	18
6HP26	300 135 1005	Jaguar	18
6HP26	300 135 1005/SK	Jaguar	18
6HP26 X	300 135 1005/SK	Jaguar	18
6HP28	300 135 1005/SK	Jaguar	18
6HP28 X	300 135 1005/SK	Jaguar	18
6HP32	300 135 1005/SK	Jaguar	18
5HP24	300 135 0002	Jaguar	19
5HP24	300 135 0002/SK	Jaguar	19
5HP24	300 135 0002	Land Rover	20
5HP24	300 135 0002/SK	Land Rover	20
6HP32	300 135 1005	Land Rover	21
6HP28 X	300 135 1005	Land Rover	21
6HP28	300 135 1005	Land Rover	21
6HP26 X	300 135 1005	Land Rover	21
6HP26	300 135 1005	Land Rover	21
6HP32	300 135 1005/SK	Land Rover	21
6HP28 X	300 135 1005/SK	Land Rover	21
6HP28	300 135 1005/SK	Land Rover	21
6HP26 X	300 135 1005/SK	Land Rover	21
6HP26	300 135 1005/SK	Land Rover	21
GACVT16Z	300 135 0305	Mini	26
VT1-27T	300 135 0305	Mini	26
5HP19 FLA	100 135 0001	Porsche	28
5HP19 FL	100 135 0001	Porsche	28
5HP19 FLA	100 135 0001/SK	Porsche	28
5HP19 FL	100 135 0001/SK	Porsche	28
5HP19 FLA	100 135 0001	Skoda	33
5HP19 FL	100 135 0001	Skoda	33
5HP19 FLA	100 135 0001/SK	Skoda	33
5HP19 FL	100 135 0001/SK	Skoda	33
5HP19 FLA	100 135 0001	Volkswagen	36
5HP19 FL	100 135 0001	Volkswagen	37
5HP19 FLA	100 135 0001/SK	Volkswagen	37
5HP19 FL	100 135 0001/SK	Volkswagen	37
6HP19 A	100 135 0003/SK	Volkswagen	39
6HP19 A	100 135 0003	Volkswagen	40

100 135 0102
 02E 305 051 C

Parts kit, automatic transm. oil change
Notes

	Kit with accessories
Transmission Type	0D9
Transmission Type	02E
Transmission Type	DQ250
	6-Speed dual-clutch transmission
	Dual-clutch transmission
Manufacturer Restriction	VW

References

02E 305 051 C	2E0 398 051
---------------	-------------

Parts list

014 019 3700	Transmission fluid
100 136 0003	Hydraulic filter, A/T


Application info

A3 (8P1, 8PA) (05/03-08/12)
 A3 (8V1, 8VS, 8V7, 8PA) (04/12--)

TT (8J3, 8J9) (08/06-06/10)
 TT (8N3, 8N9) (10/98-06/06)

Parts kit, automatic transm. oil change
100 135 0103
 0BH 325 183 B

Notes

	Kit with accessories
Transmission Type	DQ500
Transmission Type	02G
	7-Speed dual-clutch transmission
Manufacturer Restriction	VW

References

0BH 325 183 B	
---------------	--

Parts list

014 019 3700	Transmission fluid
100 136 0004	Hydraulic filter, A/T


Application info

Q3 (8U) (06/11--)

TT (8J3, 8J9) (08/06-06/10)



1

100 135 0002
01L 325 429 B

Parts kit, automatic transm. oil change



Notes

Alternative Repair Kit
Transmission Type
Manufacturer Restriction

Kit
100 135 0002/SK
with accessories
5HP24 A
Automatic Transmission, 5-speed
ZF

References

01L 325 429 B

Parts list

014 019 2300	Transmission fluid
100 139 0001	A/T oil pan gasket
100 137 0008	Hydraulic filter kit, A/T
100 136 0008	Hydraulic filter, A/T

Application info

A6 (4B, C5) (01/97-01/05)

A8 (4D2, 4D8) (03/94-09/02)

100 135 0002/SK
01L 325 429 B

Parts kit, automatic transm. oil change



Notes

Consult accessories list for recommended additional repairs

Alternative Repair Kit
Transmission Type
Manufacturer Restriction

Kit
100 135 0002
with accessories
5HP24 A
Automatic Transmission, 5-speed
ZF

References

01L 325 429 B

Parts list

100 139 0001	A/T oil pan gasket
100 137 0008	Hydraulic filter kit, A/T
100 136 0008	Hydraulic filter, A/T

Application info

A6 (4B, C5) (01/97-01/05)

A8 (4D2, 4D8) (03/94-09/02)

Parts kit, automatic transm. oil change
100 135 0014
 01M 325 429

Notes

Transmission Type Kit with accessories AG4
 Manufacturer Restriction Automatic Transmission, 4-speed VW

References

01M 325 429

Parts list

014 019 2300 Transmission fluid
 100 321 0001 A/T oil pan gasket
 100 321 0006 A/T oil pan gasket
 100 325 0001 Hydraulic filter, A/T


Application info

A3 (8L1) (09/96-05/03)

Parts kit, automatic transm. oil change
100 135 0001
 01V 325 429

Notes

Alternative Repair Kit Kit 100 135 0001/SK with accessories
 Transmission Type 5HP19 FLA
 Transmission Type 5HP19 FL
 Manufacturer Restriction Automatic Transmission, 5-speed ZF

References

01V 325 429

Parts list

014 019 2300 Transmission fluid
 100 321 0004 A/T oil pan gasket
 100 398 0003 Hydraulic filter kit, A/T
 100 325 0005 Hydraulic filter, A/T


Application info

A4 (8D2, 8D5, B5) (11/94-09/01)
 A4 (8E2, 8E5, B6) (10/00-12/04)
 A4 (8EC, 8ED) (11/04-06/08)
 A4 (8H7) (04/02-03/09)

A6 (4B, C5) (01/97-01/05)
 A8 (4D2, 4D8) (03/94-09/02)
 Allroad (4BH) (05/00-08/05)



1

100 135 0001/SK
01V 325 429

Parts kit, automatic transm. oil change



Notes

Consult accessories list for recommended additional repairs

Alternative Repair Kit

Transmission Type
Transmission Type

Manufacturer Restriction

Kit
100 135 0001
with accessories
5HP19 FL
5HP19 FLA
Automatic Transmission, 5-speed
ZF

References

01V 325 429

Parts list

100 321 0004	A/T oil pan gasket
100 398 0003	Hydraulic filter kit, A/T
100 325 0005	Hydraulic filter, A/T

Application info

A4 (8D2, 8D5, B5) (11/94-09/01)
A4 (8E2, 8E5, B6) (10/00-12/04)
A4 (8EC, 8ED) (11/04-06/08)
A4 (8H7) (04/02-03/09)

A6 (4B, C5) (01/97-01/05)
A8 (4D2, 4D8) (03/94-09/02)
Allroad (4BH) (05/00-08/05)

100 135 0100
09G 325 429

Parts kit, automatic transm. oil change



Notes

Transmission Type
Transmission Type
Transmission Type
Transmission Type

Manufacturer Restriction

Kit
with accessories
AQ250
TF-60SN
09M
09G
Automatic Transmission, 6-speed
AISIN

References

09G 325 429

Parts list

014 019 2300	Transmission fluid
100 139 0002	A/T oil pan gasket
100 137 0001	Hydraulic filter kit, A/T
100 325 0007	Hydraulic filter, A/T

Application info

A3 (8P1, 8PA) (05/03-08/12)

TT (8N3, 8N9) (10/98-06/06)

100 135 0003
 09L 325 429

Parts kit, automatic transm. oil change
Notes

Alternative Repair Kit

Transmission Type

Manufacturer Restriction

 Kit
 100 135 0003/SK
 with accessories
 6HP19 A
 Automatic Transmission, 6-speed
 ZF

References

09L 325 429

Parts list

014 019 3200	Transmission fluid
100 321 0017	A/T oil pan gasket
100 321 0018	A/T oil pan gasket
100 136 0011	Hydraulic filter, A/T


Application info

 A4 (8E2, 8E5, B6) (10/00-12/04)
 A4 (8EC, 8ED) (11/04-06/08)

 A6 (4F2, 4FH, 4F5) (05/04-08/11)
 A8 (4E) (10/02-07/10)

Parts kit, automatic transm. oil change
100 135 0003/SK
 09L 325 429

Notes

Consult accessories list for recommended additional repairs

Alternative Repair Kit

Transmission Type

Manufacturer Restriction

 Kit
 100 135 0003
 with accessories
 6HP19 A
 Automatic Transmission, 6-speed
 ZF

References

09L 325 429

Parts list

100 321 0017	A/T oil pan gasket
100 321 0018	A/T oil pan gasket
100 136 0011	Hydraulic filter, A/T


Application info

 A4 (8E2, 8E5, B6) (10/00-12/04)
 A4 (8EC, 8ED) (11/04-06/08)

 A6 (4F2, 4FH, 4F5) (05/04-08/11)
 A8 (4E) (10/02-07/10)



1

100 135 0104
0B5 325 429 E

Parts kit, automatic transm. oil change



Notes

Transmission Type
Transmission Type

Manufacturer Restriction

Kit with accessories
DL501
0B5
Automated Manual Transmission
7-Speed Manual Transmission
Dual-clutch transmission
VW

References

0B5 325 429 E

Parts list

014 019 3700 Transmission fluid
100 137 0003 Hydraulic filter kit, A/T

Application info

A4 (8K2, 8K5, 8KH) (11/07--)
A5 (8F, 8T) (06/07--)
A6 (4G2, 4G5, C7) (11/10-05/13)

A7 Sportback (4GA) (10/10--)
Q5 (8R) (11/08--)

100 135 0005
0B6 325 429

Parts kit, automatic transm. oil change



Notes

Alternative Repair Kit

Transmission Type
Transmission Type

Manufacturer Restriction

Kit with accessories
100 135 0005/SK
0B6
6HP28 AF
Automatic Transmission, 6-speed
ZF

References

0B6 325 429

Parts list

014 019 3200 Transmission fluid
100 140 0002 A/T oil pan gasket
100 137 0009 Hydraulic filter kit, A/T
100 136 0009 Hydraulic filter, A/T

Application info

A4 (8K2, 8K5, 8KH) (11/07--)
A5 (8F, 8T) (06/07--)

Q5 (8R) (11/08--)

Parts kit, automatic transm. oil change
100 135 0005/SK
 0B6 325 429

Notes

Consult accessories list for recommended additional repairs

Alternative Repair Kit	Kit 100 135 0005 with accessories
Transmission Type	6HP28 AF
Transmission Type	0B6
Manufacturer Restriction	Automatic Transmission, 6-speed ZF

References

0B6 325 429

Parts list

100 140 0002	A/T oil pan gasket
100 137 0009	Hydraulic filter kit, A/T
100 136 0009	Hydraulic filter, A/T


Application info

 A4 (8K2, 8K5, 8KH) (11/07--)
 A5 (8F, 8T) (06/07--)

Q5 (8R) (11/08--)

Parts kit, automatic transm. oil change
100 135 0105
 09D 325 435

Notes

Transmission Type	Kit with accessories
Transmission Type	TR-60SN
Manufacturer Restriction	09D Automatic Transmission, 6-speed AISIN

References

09D 325 435

Parts list

014 019 2300	Transmission fluid
100 137 0002	Hydraulic filter kit, A/T


Application info

Q7 (4L) (03/06-05/12)



1

100 135 0013
0BK 398 009

Parts kit, automatic transm. oil change



Notes

Transmission Type
Transmission Type
Transmission Type
Manufacturer Restriction

Kit
with accessories
8HP55 A
8HP55
0BK
Automatic Transmission, 8-speed
ZF

References

0BK 398 009

Parts list

014 019 3200
100 137 0006

Transmission fluid
Hydraulic filter kit, A/T

Application info

A4 (8K2, 8K5, 8KH) (11/07--)
A5 (8F, 8T) (06/07--)
A6 (4G2, 4G5, C7) (11/10-05/13)

A7 Sportback (4GA) (10/10--)
A8 (4H_) (11/09--)
Q5 (8R) (11/08--)

300 135 0401
 24 11 7 557 069

Parts kit, automatic transm. oil change
Notes

Transmission Type Kit with accessories
5L40E
Manufacturer Restriction Automatic Transmission, 5-speed
GM

References

24 11 7 557 069

Parts list

014 019 2500 Transmission fluid
314 137 0002 Hydraulic filter kit, A/T


Application info

X5 (E53) (05/00-)

300 135 0402
 24 11 7 557 070

Parts kit, automatic transm. oil change
Notes

Transmission Type Kit with accessories
5L40E
Manufacturer Restriction Automatic Transmission, 5-speed
GM

References

24 11 7 557 070

Parts list

014 019 2300 Transmission fluid
300 241 1701 Hydraulic filter kit, A/T


Application info

 3 (E46) (02/98-12/07)
 5 (E39) (11/95-05/04)

 X3 (E83) (01/04-12/08)
 Z3 (E36/7, E36/8) (10/95-06/03)

300 135 0403
 24 11 7 557 071

Parts kit, automatic transm. oil change
Notes

Transmission Type Kit with accessories
5L40E
Manufacturer Restriction Automatic Transmission, 5-speed
GM

References

24 11 7 557 071 24 15 2 333 825

Parts list

014 019 2300 Transmission fluid
314 137 0003/5 Hydraulic filter kit, A/T





300 135 0403
24 11 7 557 071

Parts kit, automatic transm. oil change

Application info

3 (E46) (02/98-12/07)
5 (E39) (11/95-05/04)

X3 (E83) (01/04-12/08)

300 135 0304
24 11 7 593 565

Parts kit, automatic transm. oil change



Notes

Transmission Type
Transmission Type
Transmission Type

Manufacturer Restriction

Kit
with accessories
GA6L45R
6L45E
6L45R
Automatic Transmission, 6-speed
GM

References

24 11 7 593 565

Parts list

014 019 2500
314 137 0005/S

Transmission fluid
Hydraulic filter kit, A/T

Application info

1 (E81, E82, E87, E88) (11/03-09/12)
3 (E90, E91, E92, E93) (01/05-05/12)

X1 (E84) (03/09--)
X3 (E83) (01/04-12/08)

300 135 0007
24 11 8 612 901

Parts kit, automatic transm. oil change



Notes

Transmission Type
Transmission Type

Manufacturer Restriction

Kit
with accessories
Plastic
8HP70
8HP45
Automatic Transmission, 8-speed
ZF

References

24 11 7 624 192

24 11 8 612 901

Parts list

014 019 3200
300 325 0002

Transmission fluid
A/T oil pan

Application info

1 (F20, F21) (11/10--)
3 (F30, F31) (10/11--)
3 (F34) (03/13--)
4 (F32, F33, F36) (07/13--)
5 (F07) (10/09-12/10)
5 (F10, F11) (03/10-12/11)
6 (F12, F13) (11/10-12/12)

7 (F01, F02, F03, F04) (06/08--)
X1 (E84) (03/09--)
X3 (F25) (09/10--)
X5 (E70) (02/07-03/10)
X6 (E71) (05/08--)
Z4 (E89) (05/09--)

300 135 1006
 24 15 2 333 899

Parts kit, automatic transm. oil change
Notes

Alternative Repair Kit	Kit 300 135 1006/SK with accessories Metal
Transmission Type	6HP32 (HSL 015+016)
Transmission Type	6HP26 X
Manufacturer Restriction	Automatic Transmission, 6-speed ZF

References

24 11 7 543 550* 24 15 2 333 899

Parts list

014 019 2900	Transmission fluid
314 139 0003	A/T oil pan gasket
300 137 0002	Hydraulic filter kit, A/T
314 316 0001	Hydraulic filter, A/T
300 930 0001/S	Keine Bezeichnung: GA 4743


Application info

7 (E65, E66) (11/01-08/05)	X5 (E70) (02/07-03/10)
X3 (E83) (01/04-12/08)	X6 (E71) (05/08--)
X5 (E53) (05/00--)	

Parts kit, automatic transm. oil change
300 135 1006/SK
 24 15 2 333 899

Notes

Consult accessories list for recommended additional repairs

Alternative Repair Kit	Kit 300 135 1006 with accessories Metal
Transmission Type	6HP26 X
Transmission Type	6HP32 (HSL 015+016)
Manufacturer Restriction	Automatic Transmission, 6-speed ZF

References

24 11 7 543 550* 24 15 2 333 899

Parts list

314 139 0003	A/T oil pan gasket
300 137 0002	Hydraulic filter kit, A/T
314 316 0001	Hydraulic filter, A/T
300 930 0001/S	Keine Bezeichnung: GA 4743


Application info

7 (E65, E66) (11/01-08/05)	X5 (E70) (02/07-03/10)
X3 (E83) (01/04-12/08)	X6 (E71) (05/08--)
X5 (E53) (05/00--)	



1

300 135 1005
24 15 2 333 903

Parts kit, automatic transm. oil change



Notes

Alternative Repair Kit

Transmission Type
Transmission Type
Transmission Type
Transmission Type

Manufacturer Restriction

Kit
300 135 1005/SK
with accessories
Plastic
6HP32
6HP28 X
6HP28
6HP26 X
6HP26
Automatic Transmission, 6-speed
ZF

References

24 15 2 333 903

Parts list

014 019 2900
300 325 0000
300 930 0001/S

Transmission fluid
A/T oil pan
Keine Bezeichnung: GA 4743

Application info

3 (E90, E91, E92, E93) (01/05-05/12)
5 (E60, E61) (07/03-08/10)
6 (E63, E64) (01/04--)
7 (E65, E66) (11/01-08/05)

7 (F01, F02, F03, F04) (06/08--)
X3 (E83) (01/04-12/08)
X5 (E70) (02/07-03/10)
X6 (E71) (05/08--)

300 135 1005/SK
24 15 2 333 903

Parts kit, automatic transm. oil change



Notes

Consult accessories list for recommended additional repairs

Alternative Repair Kit

Transmission Type
Transmission Type
Transmission Type
Transmission Type

Manufacturer Restriction

Kit
300 135 1005
with accessories
Plastic
6HP26
6HP26 X
6HP28
6HP28 X
6HP32
Automatic Transmission, 6-speed
ZF

References

24 15 2 333 903

Parts list

300 325 0000
300 930 0001/S

A/T oil pan
Keine Bezeichnung: GA 4743



Parts kit, automatic transm. oil change
300 135 1005/SK
 24 15 2 333 903

Application info

 3 (E90, E91, E92, E93) (01/05-05/12)
 5 (E60, E61) (07/03-08/10)
 6 (E63, E64) (01/04--)
 7 (E65, E66) (11/01-08/05)

 7 (F01, F02, F03, F04) (06/08--)
 X3 (E83) (01/04-12/08)
 X5 (E70) (02/07-03/10)
 X6 (E71) (05/08--)
Parts kit, automatic transm. oil change
300 135 1004
 24 15 2 333 907

Notes

Alternative Repair Kit	Kit 300 135 1004/SK with accessories Plastic
Transmission Type	6HP21 X
Transmission Type	6HP21
Transmission Type	6HP19 X
Transmission Type	6HP19
Manufacturer Restriction	Automatic Transmission, 6-speed ZF

References

24 15 2 333 907

Parts list

014 019 2900	Transmission fluid
300 325 0001	A/T oil pan
300 930 0001/S	Keine Bezeichnung: GA 4743


Application info

 1 (E81, E82, E87, E88) (11/03-09/12)
 3 (E90, E91, E92, E93) (01/05-05/12)
 5 (E60, E61) (07/03-08/10)
 6 (E63, E64) (01/04--)
 7 (E65, E66) (11/01-08/05)
 7 (F01, F02, F03, F04) (06/08--)
 X1 (E84) (03/09--)
 X3 (E83) (01/04-12/08)
 X5 (E70) (02/07-03/10)
 X6 (E71) (05/08--)
 Z4 (E85) (02/03--)
 Z4 (E86) (03/06--)
 Z4 (E89) (05/09--)



300 135 1004/SK

24 15 2 333 907

Parts kit, automatic transm. oil change



Notes

Consult accessories list for recommended additional repairs

Alternative Repair Kit

Transmission Type
Transmission Type
Transmission Type
Transmission Type

Manufacturer Restriction

Kit
300 135 1004
with accessories
Plastic
6HP19
6HP19 X
6HP21
6HP21 X
Automatic Transmission, 6-speed
ZF

References

24 15 2 333 907

Parts list

300 325 0001	A/T oil pan
300 930 0001/S	Keine Bezeichnung: GA 4743

Application info

1 (E81, E82, E87, E88) (11/03-09/12)
3 (E90, E91, E92, E93) (01/05-05/12)
5 (E60, E61) (07/03-08/10)
6 (E63, E64) (01/04--)
7 (E65, E66) (11/01-08/05)
7 (F01, F02, F03, F04) (06/08--)
X1 (E84) (03/09--)

X3 (E83) (01/04-12/08)
X5 (E70) (02/07-03/10)
X6 (E71) (05/08--)
Z4 (E85) (02/03--)
Z4 (E86) (03/06--)
Z4 (E89) (05/09--)

300 135 0002

24 34 1 422 673

Parts kit, automatic transm. oil change



Notes

Alternative Repair Kit

Transmission Type

Manufacturer Restriction

Kit
300 135 0002/SK
with accessories
5HP24
Automatic Transmission, 5-speed
ZF

References

24 34 1 422 673

Parts list

014 019 2300	Transmission fluid
314 139 0002	A/T oil pan gasket
314 137 0001	Hydraulic filter kit, A/T
300 243 4107	Hydraulic filter, A/T

Application info

5 (E39) (11/95-05/04)
7 (E38) (10/94-11/01)

X5 (E53) (05/00--)

Parts kit, automatic transm. oil change
300 135 0002/SK
 24 34 1 422 673

Notes

Consult accessories list for recommended additional repairs

Alternative Repair Kit	Kit 300 135 0002 with accessories
Transmission Type	5HP24
Manufacturer Restriction	Automatic Transmission, 5-speed ZF

References

24 34 1 422 673

Parts list

314 139 0002	A/T oil pan gasket
314 137 0001	Hydraulic filter kit, A/T
300 243 4107	Hydraulic filter, A/T


Application info

 5 (E39) (11/95-05/04)
 7 (E38) (10/94-11/01)

X5 (E53) (05/00-)

Parts kit, automatic transm. oil change
300 135 0001
 24 34 1 423 376

Notes

Alternative Repair Kit	Kit 300 135 0001/SK with accessories
Transmission Type	5HP19
Manufacturer Restriction	Automatic Transmission, 5-speed ZF

References

24 34 1 423 376

Parts list

014 019 2300	Transmission fluid
314 139 0005	A/T oil pan gasket
300 243 4108/S	Hydraulic filter kit, A/T
100 325 0005	Hydraulic filter, A/T


Application info

 3 (E46) (02/98-12/07)
 5 (E39) (11/95-05/04)

 7 (E38) (10/94-11/01)
 Z4 (E85) (02/03-)



1

300 135 0001/SK
24 34 1 423 376

Parts kit, automatic transm. oil change



Notes

Consult accessories list for recommended additional repairs

Alternative Repair Kit

Transmission Type

Manufacturer Restriction

Kit
300 135 0001
with accessories
5HP19
Automatic Transmission, 5-speed
ZF

References

24 34 1 423 376

Parts list

314 139 0005	A/T oil pan gasket
300 243 4108/S	Hydraulic filter kit, A/T
100 325 0005	Hydraulic filter, A/T

Application info

3 (E46) (02/98-12/07)
5 (E39) (11/95-05/04)

7 (E38) (10/94-11/01)
Z4 (E85) (02/03--)

714 135 0003
 1 406 310

Parts kit, automatic transm. oil change
Notes

Transmission Type	Kit
Manufacturer Restriction	CFT23 CVT (Stepless) ZF

References

1 406 310	4M5P-7B155-AB
-----------	---------------

Parts list

014 019 3000	Transmission fluid
714 139 0001	A/T oil pan gasket
714 136 0003	Hydraulic filter, A/T
714 136 0004	Hydraulic filter, A/T


Application info

Focus II (10/03-09/08)



1

300 135 1005
C2C38963

Parts kit, automatic transm. oil change



Notes

Alternative Repair Kit

Transmission Type
Transmission Type
Transmission Type
Transmission Type

Manufacturer Restriction

Kit
300 135 1005/SK
with accessories
Plastic
6HP32
6HP28 X
6HP28
6HP26 X
6HP26
Automatic Transmission, 6-speed
ZF

References

02C6715

C2C38963

Parts list

014 019 2900
300 325 0000
300 930 0001/S

Transmission fluid
A/T oil pan
Keine Bezeichnung: GA 4743

Application info

S-Type (CCX) (01/99-12/08)
XF (03/08--)
XJ (351) (10/09--)

XJ (X350) (05/03-03/09)
XK (03/06--)
XK 8 (QDV, QEV) (03/96-05/07)

300 135 1005/SK
C2C38963

Parts kit, automatic transm. oil change



Notes

Consult accessories list for recommended additional repairs

Alternative Repair Kit

Transmission Type
Transmission Type
Transmission Type
Transmission Type

Manufacturer Restriction

Kit
300 135 1005
with accessories
Plastic
6HP26
6HP26 X
6HP28
6HP28 X
6HP32
Automatic Transmission, 6-speed
ZF

References

02C6715

C2C38963

Parts list

300 325 0000
300 930 0001/S

A/T oil pan
Keine Bezeichnung: GA 4743

Application info

S-Type (CCX) (01/99-12/08)
XF (03/08--)
XJ (351) (10/09--)

XJ (X350) (05/03-03/09)
XK (03/06--)
XK 8 (QDV, QEV) (03/96-05/07)

300 135 0002
Parts kit, automatic transm. oil change
Notes

Alternative Repair Kit

Transmission Type

Manufacturer Restriction

 Kit
 300 135 0002/SK
 with accessories
 5HP24
 Automatic Transmission, 5-speed
 ZF

Parts list

 014 019 2300
 314 139 0002
 314 137 0001
 300 243 4107

 Transmission fluid
 A/T oil pan gasket
 Hydraulic filter kit, A/T
 Hydraulic filter, A/T

Application info

XJ (X308) (07/97-05/03)

XK 8 (QDV, QEV) (03/96-05/07)

300 135 0002/SK
Parts kit, automatic transm. oil change
Notes

Consult accessories list for recommended additional repairs

Alternative Repair Kit

Transmission Type

Manufacturer Restriction

 Kit
 300 135 0002
 with accessories
 5HP24
 Automatic Transmission, 5-speed
 ZF

Parts list

 314 139 0002
 314 137 0001
 300 243 4107

 A/T oil pan gasket
 Hydraulic filter kit, A/T
 Hydraulic filter, A/T

Application info

XJ (X308) (07/97-05/03)

XK 8 (QDV, QEV) (03/96-05/07)



1

300 135 0002

Parts kit, automatic transm. oil change



Notes

Alternative Repair Kit
Transmission Type
Manufacturer Restriction

Kit
300 135 0002/SK
with accessories
5HP24
Automatic Transmission, 5-speed
ZF

Parts list

014 019 2300
314 139 0002
314 137 0001
300 243 4107

Transmission fluid
A/T oil pan gasket
Hydraulic filter kit, A/T
Hydraulic filter, A/T

Application info

Range Rover III (03/02-08/12)

300 135 0002/SK

Parts kit, automatic transm. oil change



Notes

Consult accessories list for recommended additional repairs

Alternative Repair Kit
Transmission Type
Manufacturer Restriction

Kit
300 135 0002
with accessories
5HP24
Automatic Transmission, 5-speed
ZF

Parts list

314 139 0002
314 137 0001
300 243 4107

A/T oil pan gasket
Hydraulic filter kit, A/T
Hydraulic filter, A/T

Application info

Range Rover III (03/02-08/12)

300 135 1005
Parts kit, automatic transm. oil change
Notes

Alternative Repair Kit	Kit 300 135 1005/SK with accessories Plastic
Transmission Type	6HP32
Transmission Type	6HP28 X
Transmission Type	6HP28
Transmission Type	6HP26 X
Transmission Type	6HP26
Manufacturer Restriction	Automatic Transmission, 6-speed ZF

Parts list

014 019 2900	Transmission fluid
300 325 0000	A/T oil pan
300 930 0001/S	Keine Bezeichnung: GA 4743


Application info

 Discovery III (07/04-09/09)
 Discovery IV (09/09--)

 Range Rover III (03/02-08/12)
 Range Rover Sport (02/05--)

Parts kit, automatic transm. oil change
300 135 1005/SK
Notes

Consult accessories list for recommended additional repairs

Alternative Repair Kit	Kit 300 135 1005 with accessories Plastic
Transmission Type	6HP26
Transmission Type	6HP26 X
Transmission Type	6HP28
Transmission Type	6HP28 X
Transmission Type	6HP32
Manufacturer Restriction	Automatic Transmission, 6-speed ZF

Parts list

300 325 0000	A/T oil pan
300 930 0001/S	Keine Bezeichnung: GA 4743


Application info

 Discovery III (07/04-09/09)
 Discovery IV (09/09--)

 Range Rover III (03/02-08/12)
 Range Rover Sport (02/05--)



1

014 135 0402
222 277 20 00



Parts kit, automatic transm. oil change

Notes

Transmission Type	Kit with accessories
Transmission Type	K7X 1000
Transmission Type	W7C 1000
Transmission Type	K7C 1000
Transmission Type	W7N 700
Transmission Type	W7C 700
Transmission Type	W7X 700
Transmission Type	W7B 700
Manufacturer Restriction	Automatic Transmission, 7-speed MERCEDES-BENZ

References

221 277 00 00	222 277 20 00
221 277 01 00	

Parts list

014 019 3100	Transmission fluid
014 139 0000	A/T oil pan gasket

Application info

- | | |
|----------------------------------|--------------------------------|
| BM 164 (GL-Class) (09/06-05/09) | BM 218 (CLS) (01/11--) |
| BM 164 (M-Class) (07/05-09/09) | BM 218 (CLS) (10/12--) |
| BM 166 (GL) (07/12--) | BM 219 (CLS) (10/04-12/10) |
| BM 166 (M-Class) (06/11--) | BM 221 (S-Class) (10/05-06/09) |
| BM 171 (SLK) (03/04-02/11) | BM 222 (S-Class) (05/13--) |
| BM 172 (SLK) (02/11--) | BM 230 (SL) (10/01-01/12) |
| BM 204 (C-Class) (01/07--) | BM 231 (SL) (01/12--) |
| BM 204 (GLK-Class) (06/08-04/11) | BM 251 (R-Class) (01/06--) |
| BM 207 (E-Class) (01/09--) | BM 463 (G-Class) (09/89-12/97) |
| BM 212 (E-Class) (01/09-08/11) | BM 906 (Sprinter II) (06/06--) |
| BM 216 (S-Class) (05/06--) | |

014 135 0201
140 277 00 95*



Parts kit, automatic transm. oil change

Notes

Transmission Type	Kit with accessories
Transmission Type	W5A 900
Transmission Type	W5A 580
Transmission Type	W5A 380
Transmission Type	W5A 330
Transmission Type	722.6
Manufacturer Restriction	Automatic Transmission, 5-speed MERCEDES-BENZ

References

140 277 00 95*

Parts list

014 019 2800	Transmission fluid
014 027 2101	A/T oil pan gasket
014 027 2102	Hydraulic filter kit, A/T
014 027 0051	Hydraulic filter, A/T
014 930 0002	Keine Bezeichnung: GA 4743

+

014 135 0201
 140 277 00 95*

Parts kit, automatic transm. oil change
Application info

BM 129 (SL) (03/89-12/01)
 BM 140 (S-Class) (02/91-02/99)
 BM 163 (M-Class) (02/98-06/05)
 BM 170 (SLK) (09/96-04/04)
 BM 171 (SLK) (03/04-02/11)
 BM 202 (C-Class) (03/93-03/01)
 BM 203 (C-Class) (05/00-06/11)
 BM 204 (C-Class) (01/07--)
 BM 207 (E-Class) (01/09--)
 BM 208 (CLK) (06/97-07/02)
 BM 209 (CLK) (06/02-03/10)
 BM 210 (E-Class) (06/95-03/03)
 BM 211 (E-Class) (03/02-07/09)

BM 212 (E-Class) (01/09-08/11)
 BM 215 (S-Class) (03/99-03/06)
 BM 216 (S-Class) (05/06--)
 BM 219 (CLS) (10/04-12/10)
 BM 220 (S-Class) (10/98-08/05)
 BM 230 (SL) (10/01-01/12)
 BM 461 (G-Class) (02/90--)
 BM 463 (G-Class) (09/89-12/97)
 BM 639 (Vito / Viano) (09/03-07/08)
 BM 903 (Sprinter I) (02/95-05/06)
 BM 904 (Sprinter I) (02/96-05/06)
 BM 905 (Sprinter I) (04/01-05/06)

Parts kit, automatic transm. oil change
014 135 0202
 221 277 01 95

Notes

to production week	24.2010
	Kit
	with accessories
Transmission Type	W7X 700
Transmission Type	W7N 700
Transmission Type	W7B 700
Transmission Type	K7C 1000
Transmission Type	W7C 700
Transmission Type	W7C 1000
Transmission Type	722.9
Manufacturer Restriction	Automatic Transmission, 7-speed MERCEDES-BENZ

References

221 277 01 95

Parts list

014 019 2800	Transmission fluid
014 139 0000	A/T oil pan gasket
014 037 0000	Hydraulic filter kit, A/T
014 136 0000	Hydraulic filter, A/T


Application info

BM 164 (GL-Class) (09/06-05/09)
 BM 164 (M-Class) (07/05-09/09)
 BM 171 (SLK) (03/04-02/11)
 BM 203 (C-Class) (05/00-06/11)
 BM 204 (C-Class) (01/07--)
 BM 204 (GLK-Class) (06/08-04/11)
 BM 207 (E-Class) (01/09--)
 BM 209 (CLK) (06/02-03/10)
 BM 211 (E-Class) (03/02-07/09)
 BM 212 (E-Class) (01/09-08/11)

BM 215 (S-Class) (03/99-03/06)
 BM 216 (S-Class) (05/06--)
 BM 219 (CLS) (10/04-12/10)
 BM 220 (S-Class) (10/98-08/05)
 BM 221 (S-Class) (10/05-06/09)
 BM 230 (SL) (10/01-01/12)
 BM 251 (R-Class) (01/06--)
 BM 463 (G-Class) (09/89-12/97)
 BM 906 (Sprinter II) (06/06--)



1

014 135 0302
221 277 01 95

Parts kit, automatic transm. oil change



Notes

from production week 25.2010
 Kit with accessories
 Transmission Type W7X 700
 Transmission Type W7N 700
 Transmission Type W7B 700
 Transmission Type K7C 1000
 Transmission Type W7C 700
 Transmission Type W7C 1000
 Transmission Type 722.9
 Automatic Transmission, 7-speed
 MERCEDES-BENZ
 Manufacturer Restriction

References

221 277 01 95

Parts list

014 019 3100	Transmission fluid
014 139 0000	A/T oil pan gasket
014 037 0000	Hydraulic filter kit, A/T
014 136 0000	Hydraulic filter, A/T

Application info

- | | |
|----------------------------------|--------------------------------|
| BM 164 (GL-Class) (09/06-05/09) | BM 218 (CLS) (01/11--) |
| BM 164 (M-Class) (07/05-09/09) | BM 218 (CLS) (10/12--) |
| BM 166 (GL) (07/12--) | BM 219 (CLS) (10/04-12/10) |
| BM 166 (M-Class) (06/11--) | BM 221 (S-Class) (10/05-06/09) |
| BM 171 (SLK) (03/04-02/11) | BM 222 (S-Class) (05/13--) |
| BM 172 (SLK) (02/11--) | BM 230 (SL) (10/01-01/12) |
| BM 204 (C-Class) (01/07--) | BM 231 (SL) (01/12--) |
| BM 204 (GLK-Class) (06/08-04/11) | BM 251 (R-Class) (01/06--) |
| BM 207 (E-Class) (01/09--) | BM 463 (G-Class) (09/89-12/97) |
| BM 212 (E-Class) (01/09-08/11) | BM 906 (Sprinter II) (06/06--) |
| BM 216 (S-Class) (05/06--) | |

014 135 0200
168 377 03 95

Parts kit, automatic transm. oil change



Notes

Kit with accessories
 Transmission Type W5A 180
 Transmission Type 722.7
 Automatic Transmission, 5-speed
 MERCEDES-BENZ
 Manufacturer Restriction

References

168 377 03 95

Parts list

014 019 2400	Transmission fluid
014 037 0002	A/T oil pan gasket
014 037 0003	Hydraulic filter kit, A/T
014 037 0001	Hydraulic filter, A/T

Parts kit, automatic transm. oil change
014 135 0200
 168 377 03 95

Application info

BM 168 (A-Class) (07/97-08/04)

BM 414 (Vaneo) (02/02-07/05)

Parts kit, automatic transm. oil change
014 135 0203
 169 377 13 95

Notes

Transmission Type	Kit with accessories
Transmission Type	WFC 280
Manufacturer Restriction	722.8
	CVT (Stepless)
	MERCEDES-BENZ

References

169 377 13 95

Parts list

014 019 3000	Transmission fluid
014 140 0001	A/T oil pan gasket
014 037 0004/S	Hydraulic filter kit, A/T
014 037 0004	Hydraulic filter, A/T


Application info

BM 169 (A-Class) (09/04-06/12)

BM 245 (B-Class) (03/05-11/11)

Parts kit, automatic transm. oil change
014 135 0204
 169 377 13 95

Notes

Transmission Type	Kit with accessories
Transmission Type	WFC 280
Manufacturer Restriction	722.8
	CVT (Stepless)
	MERCEDES-BENZ

References

169 377 13 95

Parts list

014 019 3000	Transmission fluid
014 140 0002	A/T oil pan gasket
014 037 0005/S	Hydraulic filter kit, A/T
014 037 0004	Hydraulic filter, A/T


Application info

BM 169 (A-Class) (09/04-06/12)

BM 245 (B-Class) (03/05-11/11)



1

300 135 0307
24 34 7 551 087

Parts kit, automatic transm. oil change



Notes

Transmission Type
Manufacturer Restriction

Kit with accessories
GA6F21WA
Automatic Transmission, 6-speed
AISIN

References

24 34 7 551 087

Parts list

014 019 2300 Transmission fluid
314 137 0007/S Hydraulic filter kit, A/T

Application info

Mini I (06/01-11/07)

300 135 0305

Parts kit, automatic transm. oil change



Notes

Transmission Type
Manufacturer Restriction

Kit with accessories
GACVT16Z
VT1-27T
CVT (Stepless)
ZF

Parts list

014 019 3000 Transmission fluid
314 137 0004/S Hydraulic filter kit, A/T

Application info

Mini I (06/01-11/07)

300 135 0306

Parts kit, automatic transm. oil change



Notes

Transmission Type
Manufacturer Restriction

Kit with accessories
GA6F21WA
Automatic Transmission, 6-speed
AISIN

Parts list

014 019 2300 Transmission fluid
100 139 0002 A/T oil pan gasket
314 137 0006/S Hydraulic filter kit, A/T



**Parts kit, automatic transm. oil change****300 135 0306****Application info**Countryman (06/10--)
Mini II (10/06-07/10)

Paceman (04/12--)

1



1

100 135 0001
986 307 403 00

Parts kit, automatic transm. oil change



Notes

Alternative Repair Kit
Transmission Type
Transmission Type
Manufacturer Restriction

Kit
100 135 0001/SK
with accessories
5HP19 FLA
5HP19 FL
Automatic Transmission, 5-speed
ZF

References

986 307 403 00

Parts list

014 019 2300
100 321 0004
100 398 0003
100 325 0005

Transmission fluid
A/T oil pan gasket
Hydraulic filter kit, A/T
Hydraulic filter, A/T

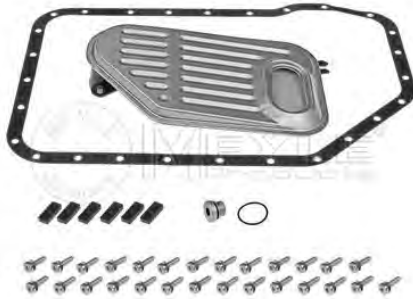
Application info

Boxster (986) (09/96-12/04)
Boxster (987) (11/04-12/11)

Cayman (11/05--)

100 135 0001/SK
986 307 403 00

Parts kit, automatic transm. oil change



Notes

Consult accessories list for recommended additional repairs

Alternative Repair Kit
Transmission Type
Transmission Type
Manufacturer Restriction

Kit
100 135 0001
with accessories
5HP19 FL
5HP19 FLA
Automatic Transmission, 5-speed
ZF

References

986 307 403 00

Parts list

100 321 0004
100 398 0003
100 325 0005

A/T oil pan gasket
Hydraulic filter kit, A/T
Hydraulic filter, A/T

Application info

Boxster (986) (09/96-12/04)
Boxster (987) (11/04-12/11)

Cayman (11/05--)

Parts kit, automatic transm. oil change
100 135 0105
Notes

Transmission Type
 Transmission Type
 Manufacturer Restriction

Kit
 with accessories
 TR-60SN
 09D
 Automatic Transmission, 6-speed
 AISIN

Parts list

014 019 2300
 100 137 0002

Transmission fluid
 Hydraulic filter kit, A/T


Application info

Cayenne I (955) (09/02--)



1

100 135 0102
02E 305 051 C

Parts kit, automatic transm. oil change



Notes

Transmission Type	Kit with accessories
Transmission Type	OD9
Transmission Type	02E
	DQ250
	6-Speed dual-clutch transmission
	Dual-clutch transmission
Manufacturer Restriction	VW

References

02E 305 051 C	2E0 398 051
---------------	-------------

Parts list

014 019 3700	Transmission fluid
100 136 0003	Hydraulic filter, A/T

Application info

Alhambra II (710) (06/10-05/11)
Leon (5F) (09/12--)

Leon / Toledo / Altea (1P1, 5P2, 5P5) (03/04-05/10)

100 135 0014
01M 325 429

Parts kit, automatic transm. oil change



Notes

Transmission Type	Kit with accessories
Manufacturer Restriction	AG4
	Automatic Transmission, 4-speed
	VW

References

01M 325 429

Parts list

014 019 2300	Transmission fluid
100 321 0001	A/T oil pan gasket
100 321 0006	A/T oil pan gasket
100 325 0001	Hydraulic filter, A/T

Application info

Alhambra I (7V8, 7V9) (04/96-03/10)
Ibiza II / III / Cordoba / Inca (02/93-06/03)

Leon / Toledo (1M1, 1M2) (04/99-06/06)

Parts kit, automatic transm. oil change
100 135 0100
Notes

Transmission Type Kit
 with accessories
 Transmission Type AQ250
 Transmission Type TF-60SN
 Transmission Type 09M
 Transmission Type 09G
 Automatic Transmission, 6-speed
 Manufacturer Restriction AISIN

Parts list

014 019 2300 Transmission fluid
 100 139 0002 A/T oil pan gasket
 100 137 0001 Hydraulic filter kit, A/T
 100 325 0007 Hydraulic filter, A/T


Application info

Ibiza IV / Cordoba (02/02-11/09)
 Leon / Toledo / Altea (1P1, 5P2, 5P5) (03/04-05/10)

TOLEDO IV (KG3) (07/12--)

Parts kit, automatic transm. oil change
100 135 0101
Notes

Transmission Type Kit
 with accessories
 Transmission Type AQ250
 Transmission Type TF-60SN
 Transmission Type 09G
 Automatic Transmission, 6-speed
 Manufacturer Restriction AISIN

Parts list

014 019 2300 Transmission fluid
 100 139 0002 A/T oil pan gasket
 100 137 0004 Hydraulic filter kit, A/T
 100 325 0009 Hydraulic filter, A/T


Application info

Leon / Toledo / Altea (1P1, 5P2, 5P5) (03/04-05/10)



1

100 135 0102
02E 305 051 C

Parts kit, automatic transm. oil change



Notes

Transmission Type	Kit with accessories
Transmission Type	0D9
Transmission Type	02E
	DQ250
	6-Speed dual-clutch transmission
	Dual-clutch transmission
Manufacturer Restriction	VW

References

02E 305 051 C	2E0 398 051
---------------	-------------

Parts list

014 019 3700	Transmission fluid
100 136 0003	Hydraulic filter, A/T

Application info

Octavia II (1Z_) (02/04-12/10)
Superb II (3T) (03/08-11/10)

Yeti (5L) (05/09--)

100 135 0014
01M 325 429

Parts kit, automatic transm. oil change



Notes

Transmission Type	Kit with accessories
Manufacturer Restriction	AG4
	Automatic Transmission, 4-speed
	VW

References

01M 325 429

Parts list

014 019 2300	Transmission fluid
100 321 0001	A/T oil pan gasket
100 321 0006	A/T oil pan gasket
100 325 0001	Hydraulic filter, A/T

Application info

Octavia I (1U_) (09/96-12/10)

100 135 0001
 01V 325 429

Parts kit, automatic transm. oil change
Notes

Alternative Repair Kit	Kit 100 135 0001/SK with accessories
Transmission Type	5HP19 FLA
Transmission Type	5HP19 FL
Manufacturer Restriction	Automatic Transmission, 5-speed ZF

References

01V 325 429

Parts list

014 019 2300	Transmission fluid
100 321 0004	A/T oil pan gasket
100 398 0003	Hydraulic filter kit, A/T
100 325 0005	Hydraulic filter, A/T


Application info

Superb I (3U) (12/01-03/08)

Parts kit, automatic transm. oil change
100 135 0001/SK
 01V 325 429

Notes

Consult accessories list for recommended additional repairs

Alternative Repair Kit	Kit 100 135 0001 with accessories
Transmission Type	5HP19 FL
Transmission Type	5HP19 FLA
Manufacturer Restriction	Automatic Transmission, 5-speed ZF

References

01V 325 429

Parts list

100 321 0004	A/T oil pan gasket
100 398 0003	Hydraulic filter kit, A/T
100 325 0005	Hydraulic filter, A/T


Application info

Superb I (3U) (12/01-03/08)



1

100 135 0100

Parts kit, automatic transm. oil change



Notes

Transmission Type
Transmission Type
Transmission Type
Transmission Type

Manufacturer Restriction

Kit
with accessories
AQ250
TF-60SN
09M
09G
Automatic Transmission, 6-speed
AISIN

Parts list

014 019 2300
100 139 0002
100 137 0001
100 325 0007

Transmission fluid
A/T oil pan gasket
Hydraulic filter kit, A/T
Hydraulic filter, A/T

Application info

Octavia II (1Z_) (02/04-12/10)
Rapid II (NH) (07/12--)

Roomster (03/06-03/10)

100 135 0101

Parts kit, automatic transm. oil change



Notes

Transmission Type
Transmission Type
Transmission Type

Manufacturer Restriction

Kit
with accessories
AQ250
TF-60SN
09G
Automatic Transmission, 6-speed
AISIN

Parts list

014 019 2300
100 139 0002
100 137 0004
100 325 0009

Transmission fluid
A/T oil pan gasket
Hydraulic filter kit, A/T
Hydraulic filter, A/T

Application info

Octavia II (1Z_) (02/04-12/10)

Superb II (3T) (03/08-11/10)

100 135 0102
 02E 305 051 C

Parts kit, automatic transm. oil change
Notes

	Kit with accessories
Transmission Type	0D9
Transmission Type	02E
Transmission Type	DQ250
	6-Speed dual-clutch transmission
	Dual-clutch transmission
Manufacturer Restriction	VW

References

02E 305 051 C	2E0 398 051
---------------	-------------

Parts list

014 019 3700	Transmission fluid
100 136 0003	Hydraulic filter, A/T


Application info

Beetle (5C1) (04/11--)
 Caddy III (2KA, 2KB) (03/04-08/10)
 CC (11/11--)
 Eos (03/06-11/10)
 Golf V (1K1, 1K5, 5M1) (10/03-05/09)
 Golf VI (5K1, 517, AJ5) (10/08-11/13)
 Golf VII (08/12--)
 Jetta III (1K2) (08/05-10/10)

Jetta IV (162) (04/10--)
 New Beetle (1Y7, 9C1, 1C1) (01/98-10/10)
 Passat (362, 365) (08/10--)
 Passat (3C_) (03/05-10/11)
 Tiguan (09/07-08/09)
 Touran (1T1, 1T2) (02/03-05/10)
 Touran (1T3) (05/10-01/13)

Parts kit, automatic transm. oil change
100 135 0103
 0BH 325 183 A

Notes

	Kit with accessories
Transmission Type	DQ500
Transmission Type	02G
	7-Speed dual-clutch transmission
Manufacturer Restriction	VW

References

0BH 325 183 A	0BH 325 183 B
---------------	---------------

Parts list

014 019 3700	Transmission fluid
100 136 0004	Hydraulic filter, A/T


Application info

Tiguan (09/07-08/09)

Transporter V (04/03-11/09)



1

100 135 0014
01M 325 429

Parts kit, automatic transm. oil change



Notes

Transmission Type
Manufacturer Restriction

Kit with accessories
AG4
Automatic Transmission, 4-speed
VW

References

01M 325 429

Parts list

014 019 2300
100 321 0001
100 321 0006
100 325 0001

Transmission fluid
A/T oil pan gasket
A/T oil pan gasket
Hydraulic filter, A/T

Application info

Bora (1J2, 1J6) (10/98-05/05)
Corrado (53I) (09/88-12/95)
Golf III (1H1, 1H5, 1E7) (08/91-06/02)
Golf IV (1J1, 1J5) (08/97-06/06)
New Beetle (1Y7, 9C1, 1C1) (01/98-10/10)

Passat (35I) (02/88-05/97)
Polo (6K_) (11/95-07/02)
Sharan (7M) (09/95-03/10)
Transporter IV (07/90-04/03)

100 135 0001
01V 325 429

Parts kit, automatic transm. oil change



Notes

Alternative Repair Kit
Transmission Type
Transmission Type
Manufacturer Restriction

Kit 100 135 0001/SK with accessories
5HP19 FLA
5HP19 FL
Automatic Transmission, 5-speed
ZF

References

01V 325 429

Parts list

014 019 2300
100 321 0004
100 398 0003
100 325 0005

Transmission fluid
A/T oil pan gasket
Hydraulic filter kit, A/T
Hydraulic filter, A/T

Application info

Passat (3B_) (08/96-08/05)

Phaeton (3D) (04/02--)

Parts kit, automatic transm. oil change
100 135 0001/SK
 01V 325 429

Notes

Consult accessories list for recommended additional repairs

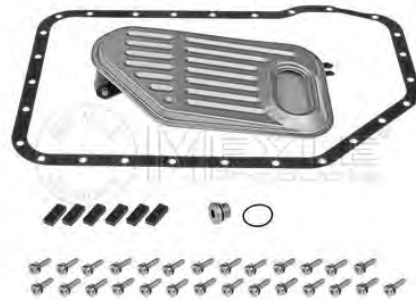
Alternative Repair Kit	Kit 100 135 0001 with accessories
Transmission Type	5HP19 FL
Transmission Type	5HP19 FLA
Manufacturer Restriction	Automatic Transmission, 5-speed ZF

References

01V 325 429

Parts list

100 321 0004	A/T oil pan gasket
100 398 0003	Hydraulic filter kit, A/T
100 325 0005	Hydraulic filter, A/T


Application info

Passat (3B_) (08/96-08/05)

Phaeton (3D) (04/02--)

Parts kit, automatic transm. oil change
100 135 0100
 09G 325 429

Notes

Transmission Type	Kit with accessories
Transmission Type	AQ250
Transmission Type	TF-60SN
Transmission Type	09M
Transmission Type	09G
Manufacturer Restriction	Automatic Transmission, 6-speed AISIN

References

09G 325 429

Parts list

014 019 2300	Transmission fluid
100 139 0002	A/T oil pan gasket
100 137 0001	Hydraulic filter kit, A/T
100 325 0007	Hydraulic filter, A/T


Application info

Golf V (1K1, 1K5, 5M1) (10/03-05/09)

Jetta III (1K2) (08/05-10/10)

Jetta IV (162) (04/10--)

New Beetle (1Y7, 9C1, 1C1) (01/98-10/10)

Touran (1T1, 1T2) (02/03-05/10)



1

100 135 0101
09G 325 429 A

Parts kit, automatic transm. oil change



Notes

Transmission Type
Transmission Type
Transmission Type
Manufacturer Restriction

Kit
with accessories
AQ250
TF-60SN
09G
Automatic Transmission, 6-speed
AISIN

References

09G 325 429 A

Parts list

014 019 2300	Transmission fluid
100 139 0002	A/T oil pan gasket
100 137 0004	Hydraulic filter kit, A/T
100 325 0009	Hydraulic filter, A/T

Application info

Golf V (1K1, 1K5, 5M1) (10/03-05/09)
Jetta III (1K2) (08/05-10/10)
New Beetle (1Y7, 9C1, 1C1) (01/98-10/10)

Passat (3C_) (03/05-10/11)
Touran (1T1, 1T2) (02/03-05/10)

100 135 0106
09K 325 429

Parts kit, automatic transm. oil change



Notes

Transmission Type
Transmission Type
Manufacturer Restriction

Kit
with accessories
TF-61SN
09K
Automatic Transmission, 6-speed
AISIN

References

09K 325 429

Parts list

014 019 2300	Transmission fluid
100 321 0016	A/T oil pan gasket
100 325 0006	Hydraulic filter, A/T

Application info

Transporter V (04/03-11/09)

Parts kit, automatic transm. oil change
100 135 0003/SK
 09L 325 429

Notes

Consult accessories list for recommended additional repairs

Alternative Repair Kit

 Kit
 100 135 0003
 with accessories
 6HP19 A
 Automatic Transmission, 6-speed
 ZF

Transmission Type

Manufacturer Restriction

References

09L 325 429

Parts list

 100 321 0017 A/T oil pan gasket
 100 321 0018 A/T oil pan gasket
 100 136 0011 Hydraulic filter, A/T

Application info

Phaeton (3D) (04/02--)

Parts kit, automatic transm. oil change
100 135 0107
 09M 325 429

Notes

 Transmission Type
 Transmission Type

 Kit
 TF-62SN
 AQ450
 Automatic Transmission, 6-speed
 AISIN

Manufacturer Restriction

References

09M 325 429

Parts list

 014 019 2300 Transmission fluid
 100 139 0003 A/T oil pan gasket
 100 137 0005 Hydraulic filter kit, A/T
 100 325 0010 Hydraulic filter, A/T

Application info

Passat (3C_) (03/05-10/11)

Tiguan (09/07-08/09)



1

100 135 0105
09D 325 435

Parts kit, automatic transm. oil change



Notes

Transmission Type
Transmission Type
Manufacturer Restriction

Kit
with accessories
TR-60SN
09D
Automatic Transmission, 6-speed
AISIN

References

09D 325 435

Parts list

014 019 2300 Transmission fluid
100 137 0002 Hydraulic filter kit, A/T

Application info

Touareg (7LA, 7L6, 7L7) (10/02-05/10)

100 135 0003

Parts kit, automatic transm. oil change



Notes

Alternative Repair Kit
Transmission Type
Manufacturer Restriction

Kit
100 135 0003/SK
with accessories
6HP19 A
Automatic Transmission, 6-speed
ZF

Parts list

014 019 3200 Transmission fluid
100 321 0017 A/T oil pan gasket
100 321 0018 A/T oil pan gasket
100 136 0011 Hydraulic filter, A/T

Application info

Phaeton (3D) (04/02--)

MEYLE no.	Ref. no.	Page
Audi		
100 135 0001	01V 325 429	3
100 135 0001/SK	01V 325 429	4
100 135 0002	01L 325 429 B	2
100 135 0002/SK	01L 325 429 B	2
100 135 0003	09L 325 429	5
100 135 0003/SK	09L 325 429	5
100 135 0005	0B6 325 429	6
100 135 0005/SK	0B6 325 429	7
100 135 0013	0BK 398 009	8
100 135 0014	01M 325 429	3
100 135 0100	09G 325 429	4
100 135 0102	02E 305 051 C 2E0 398 051	1
100 135 0103	0BH 325 183 B	1
100 135 0104	0B5 325 429 E	6
100 135 0105	09D 325 435	7
MEYLE no.	Ref. no.	Page
BMW		
300 135 0001	24 34 1 423 376	15
300 135 0001/SK	24 34 1 423 376	16
300 135 0002	24 34 1 422 673	14
300 135 0002/SK	24 34 1 422 673	15
300 135 0007	24 11 7 624 192 24 11 8 612 901	10
300 135 0304	24 11 7 593 565	10
300 135 0401	24 11 7 557 069	9
300 135 0402	24 11 7 557 070	9
300 135 0403	24 11 7 557 071 24 15 2 333 825	9
300 135 1004	24 15 2 333 907	13
300 135 1004/SK	24 15 2 333 907	14
300 135 1005	24 15 2 333 903	12
300 135 1005/SK	24 15 2 333 903	12
300 135 1006	24 11 7 543 550* 24 15 2 333 899	11
300 135 1006/SK	24 11 7 543 550* 24 15 2 333 899	11
MEYLE no.	Ref. no.	Page
Ford		
714 135 0003	1 406 310 4M5P-7B155-AB	17

MEYLE no.	Ref. no.	Page
Jaguar		
300 135 0002	-	19
300 135 0002/SK	-	19
300 135 1005	02C6715 C2C38963	18
300 135 1005/SK	02C6715 C2C38963	18
MEYLE no.	Ref. no.	Page
Land Rover		
300 135 0002	-	20
300 135 0002/SK	-	20
300 135 1005	-	21
300 135 1005/SK	-	21
MEYLE no.	Ref. no.	Page
Mercedes-Benz		
014 135 0200	168 377 03 95	24
014 135 0201	140 277 00 95*	22
014 135 0202	221 277 01 95	23
014 135 0203	169 377 13 95	25
014 135 0204	169 377 13 95	25
014 135 0302	221 277 01 95	24
014 135 0402	221 277 00 00 221 277 01 00 222 277 20 00	22
MEYLE no.	Ref. no.	Page
Mini		
300 135 0305	-	26
300 135 0306	-	26
300 135 0307	24 34 7 551 087	26
MEYLE no.	Ref. no.	Page
Porsche		
100 135 0001	986 307 403 00	28
100 135 0001/SK	986 307 403 00	28
100 135 0105	-	29
MEYLE no.	Ref. no.	Page
Seat		
100 135 0014	01M 325 429	30



MEYLE no.	Ref. no.	Page
Seat		
100 135 0100	-	31
100 135 0101	-	31
100 135 0102	02E 305 051 C 2E0 398 051	30
MEYLE no.	Ref. no.	Page
Skoda		
100 135 0001	01V 325 429	33
100 135 0001/SK	01V 325 429	33
100 135 0014	01M 325 429	32
100 135 0100	-	34
100 135 0101	-	34
100 135 0102	02E 305 051 C 2E0 398 051	32
MEYLE no.	Ref. no.	Page
Volkswagen		
100 135 0001	01V 325 429	36
100 135 0001/SK	01V 325 429	37
100 135 0003	-	40
100 135 0003/SK	09L 325 429	39
100 135 0014	01M 325 429	36
100 135 0100	09G 325 429	37
100 135 0101	09G 325 429 A	38
100 135 0102	02E 305 051 C 2E0 398 051	35
100 135 0103	0BH 325 183 A 0BH 325 183 B	35
100 135 0105	09D 325 435	40
100 135 0106	09K 325 429	38
100 135 0107	09M 325 429	39





Ref. no.	MEYLE no.	Page
Audi		
02E 305 051 C	100 135 0102	1
0BH 325 183 B	100 135 0103	1
01L 325 429 B	100 135 0002 100 135 0002/SK	2
01M 325 429	100 135 0014	3
01V 325 429	100 135 0001 100 135 0001/SK	3-4
09G 325 429	100 135 0100	4
09L 325 429	100 135 0003 100 135 0003/SK	5
0B5 325 429 E	100 135 0104	6
0B6 325 429	100 135 0005 100 135 0005/SK	6-7
09D 325 435	100 135 0105	7
0BK 398 009	100 135 0013	8
2E0 398 051	100 135 0102	1
Ref. no.	MEYLE no.	Page
BMW		
24 11 7 543 550*	300 135 1006 300 135 1006/SK	11
24 11 7 557 069	300 135 0401	9
24 11 7 557 070	300 135 0402	9
24 11 7 557 071	300 135 0403	9
24 11 7 593 565	300 135 0304	10
24 11 7 624 192	300 135 0007	10
24 11 8 612 901	300 135 0007	10
24 15 2 333 825	300 135 0403	9
24 15 2 333 899	300 135 1006 300 135 1006/SK	11
24 15 2 333 903	300 135 1005 300 135 1005/SK	12
24 15 2 333 907	300 135 1004 300 135 1004/SK	13-14
24 34 1 422 673	300 135 0002 300 135 0002/SK	14-15
24 34 1 423 376	300 135 0001 300 135 0001/SK	15-16
Ref. no.	MEYLE no.	Page
Ford		
1 406 310	714 135 0003	17
4M5P-7B155-AB	714 135 0003	17

Ref. no.	MEYLE no.	Page
Jaguar		
02C6715	300 135 1005 300 135 1005/SK	18
C2C38963	300 135 1005 300 135 1005/SK	18
Ref. no.	MEYLE no.	Page
Mercedes-Benz		
221 277 00 00	014 135 0402	22
221 277 01 00	014 135 0402	22
222 277 20 00	014 135 0402	22
140 277 00 95*	014 135 0201	22
221 277 01 95	014 135 0202 014 135 0302	23-24
168 377 03 95	014 135 0200	24
169 377 13 95	014 135 0203 014 135 0204	25
Ref. no.	MEYLE no.	Page
Mini		
24 34 7 551 087	300 135 0307	26
Ref. no.	MEYLE no.	Page
Porsche		
986 307 403 00	100 135 0001 100 135 0001/SK	28
Ref. no.	MEYLE no.	Page
Seat		
02E 305 051 C	100 135 0102	30
01M 325 429	100 135 0014	30
2E0 398 051	100 135 0102	30
Ref. no.	MEYLE no.	Page
Skoda		
02E 305 051 C	100 135 0102	32
01M 325 429	100 135 0014	32
01V 325 429	100 135 0001 100 135 0001/SK	33
2E0 398 051	100 135 0102	32



Ref. no.	MEYLE no.	Page
Volkswagen		
02E 305 051 C	100 135 0102	35
0BH 325 183 A	100 135 0103	35
0BH 325 183 B	100 135 0103	35
01M 325 429	100 135 0014	36
01V 325 429	100 135 0001 100 135 0001/SK	36-37
09G 325 429	100 135 0100	37
09G 325 429 A	100 135 0101	38
09K 325 429	100 135 0106	38
09L 325 429	100 135 0003/SK	39
09M 325 429	100 135 0107	39
09D 325 435	100 135 0105	40
2E0 398 051	100 135 0102	35



MEYLE product range



The MEYLE brand supplies its customers with more than 21,000 extremely reliable and durable spare parts manufactured at our own production facilities or by trusted production partners. MEYLE boasts a highly diversified product range. Whether steering and suspension components, rubber-to-metal parts, brakes, damping components, cooling systems, filters, drive components, electric and sensors MEYLE is synonymous with top-grade quality-tested spare parts.

Notes

This catalogue is protected by copyright. Reproduction of text, graphic elements, photographs and/or data, even in part, is prohibited. MEYLE, , or parts thereof, are registered trademarks of Wulf Gaertner Autoparts AG.

All supplies and services are subject to our General Terms and Conditions. The original spare part numbers shown in this catalogue are for cross-reference purposes only and shall not be disclosed to third parties on invoices and delivery notes. While the information in this catalogue was compiled and edited with utmost care we do not assume responsibility or accept claims arising from errors or inconsistencies. Subject to technical and/or design changes.

This issue of the catalogue supersedes all previous issues.
All rights reserved. © 2016 Wulf Gaertner Autoparts AG



Simply lasts longer.



Wulf Gaertner Autoparts AG

Merkurring 111 • 22143 Hamburg • Germany
contact@meyle.com • www.meyle.com

Our brands:



MEYLE parts are available through:

www.meyle.com

