

A genuine all-rounder: the new BMW repair kit with 3-in-1 control arm design.

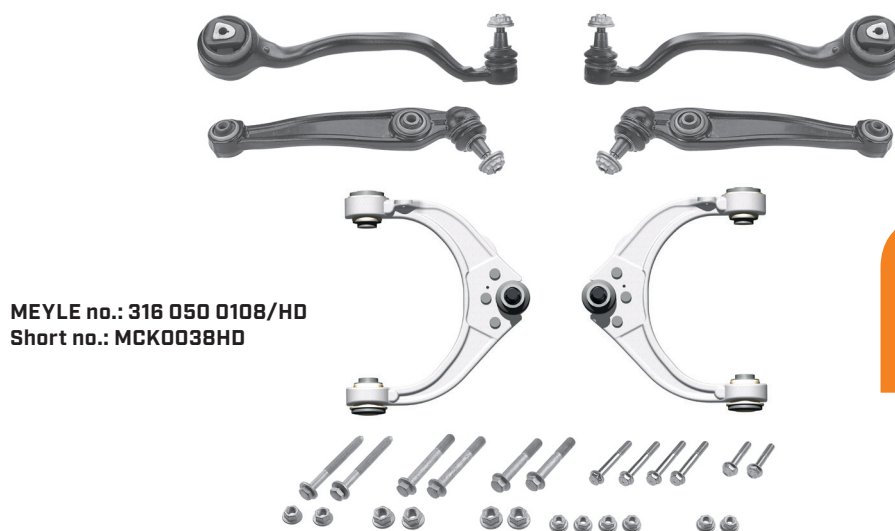
To fit BMW X5 and X6 models from YOM 2007 onward

Swift and cost-effective repairs to professional standards: The new MEYLE-HD kit for the BMW X5 and X6 front axle repair includes all the required control arm assemblies along with a full set of corrosion-resistant mounting parts.

The repair kit also features the two adjustable MEYLE-HD control arms (MEYLE no. 316 050 0034/HD,

Short no.: MCA0461HD and 316 050 0033/HD, Short no.: MCA0460HD).

The special feature: the ball joint can be adjusted to three different positions, which means that it can be used to replace three different original part versions. This keeps inventories lean and correct part identification simple. A solution designed to save time and cut costs.



MEYLE no.: 316 050 0108/HD
Short no.: MCK0038HD

**4-year
guarantee for
MEYLE-HD!**

**One control arm to replace its three OE equivalents.
Easy wheel camber correction thanks to clear part marking:**

MEYLE-HD

L: 316 050 0034/HD
Short no.: MCA0461HD
R: 316 050 0033/HD
Short no.: MCA0460HD

+ control arm

L: 31 12 6 863 333*
R: 31 12 6 863 334*

0 control arm

L: 31 12 6 863 785*
R: 31 12 6 863 786*

- control arm

L: 31 12 6 863 335*
R: 31 12 6 863 336*



*The original spare parts numbers which we have mentioned here are only for the purpose of comparison and may not appear in invoices and delivery notes to third parties.